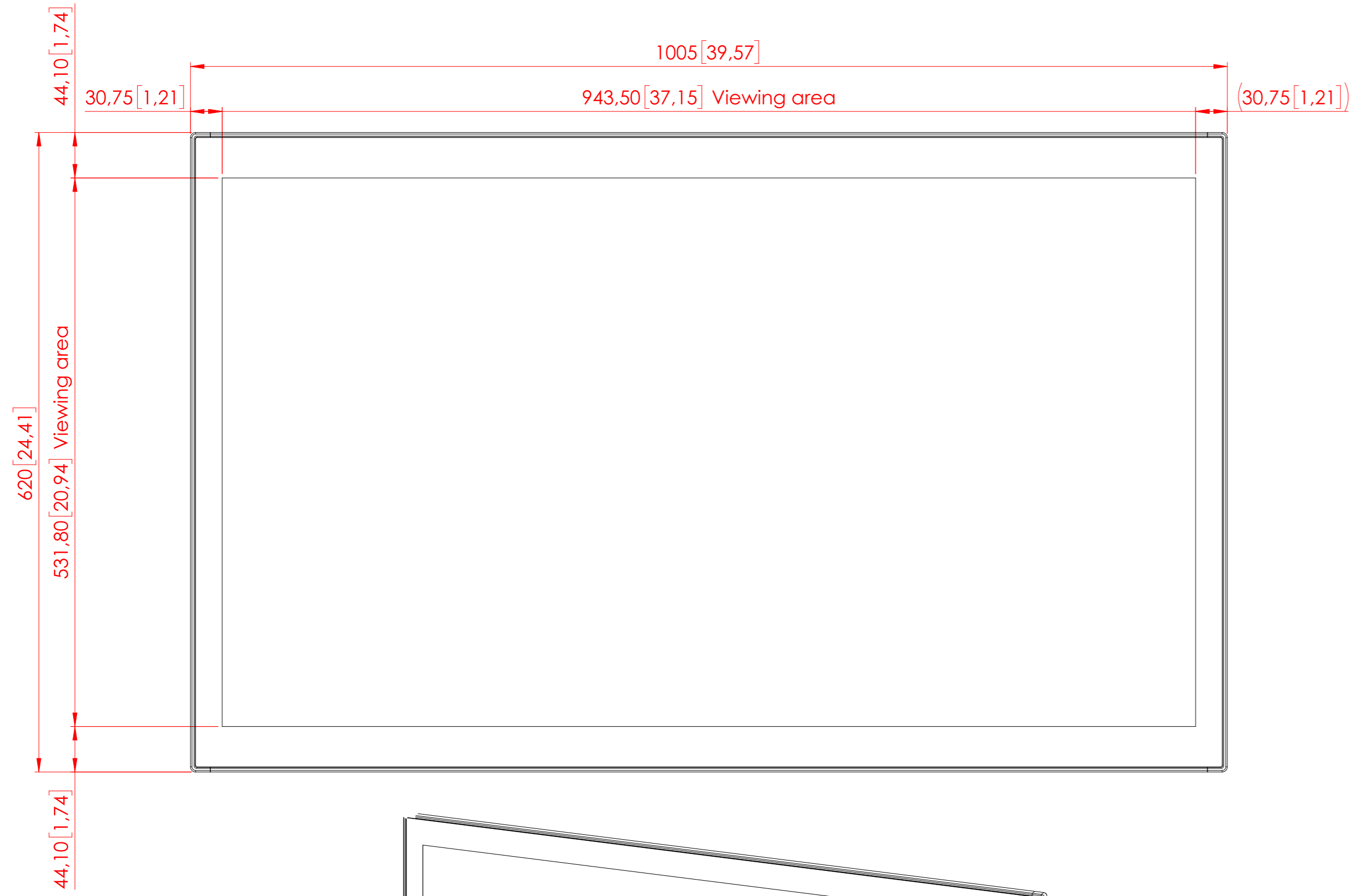
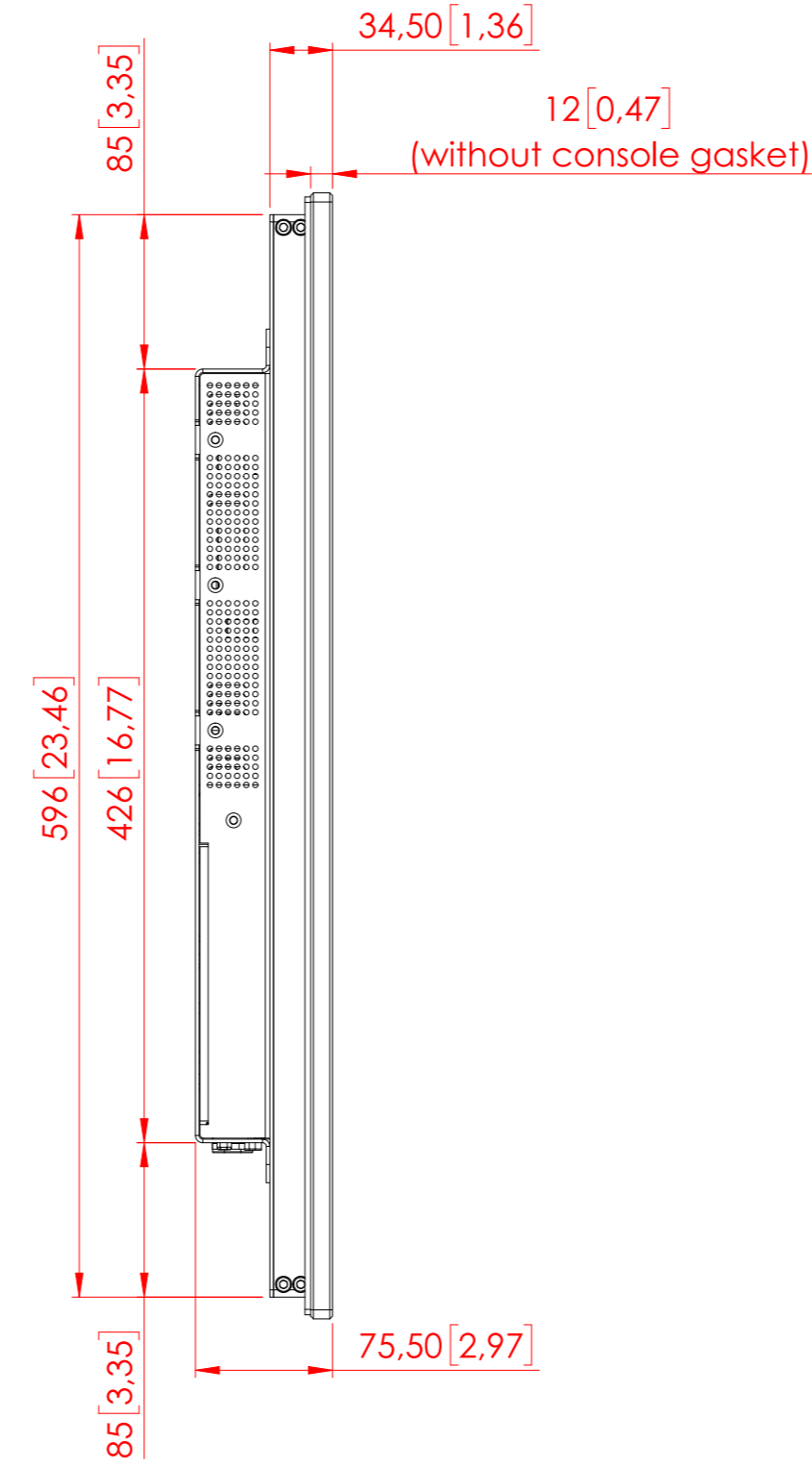


This document is the property of Hatteland Technology AS. This document and any authorized reproduction thereof, must not be used in any way against the interest of Hatteland Technology AS. Any authorized reproduction, in whole or in part, must include this legend.

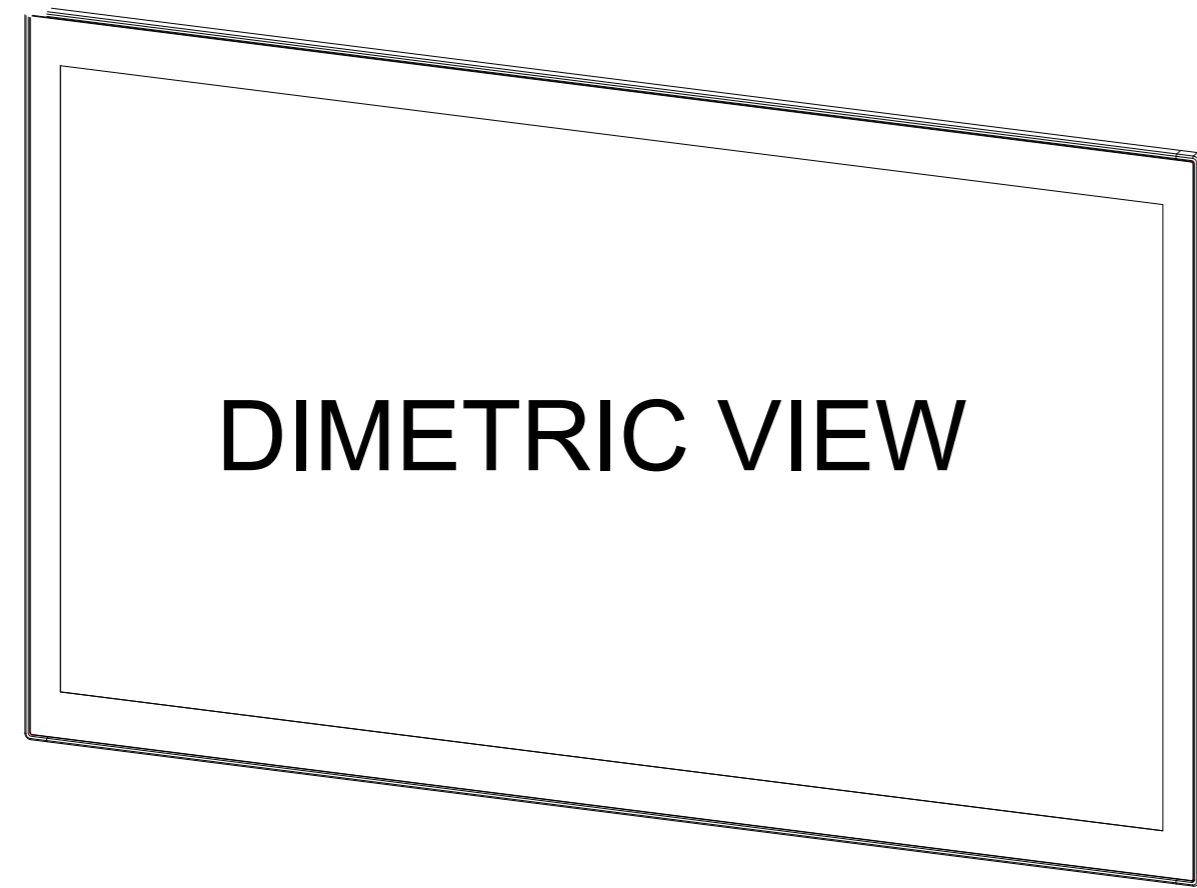
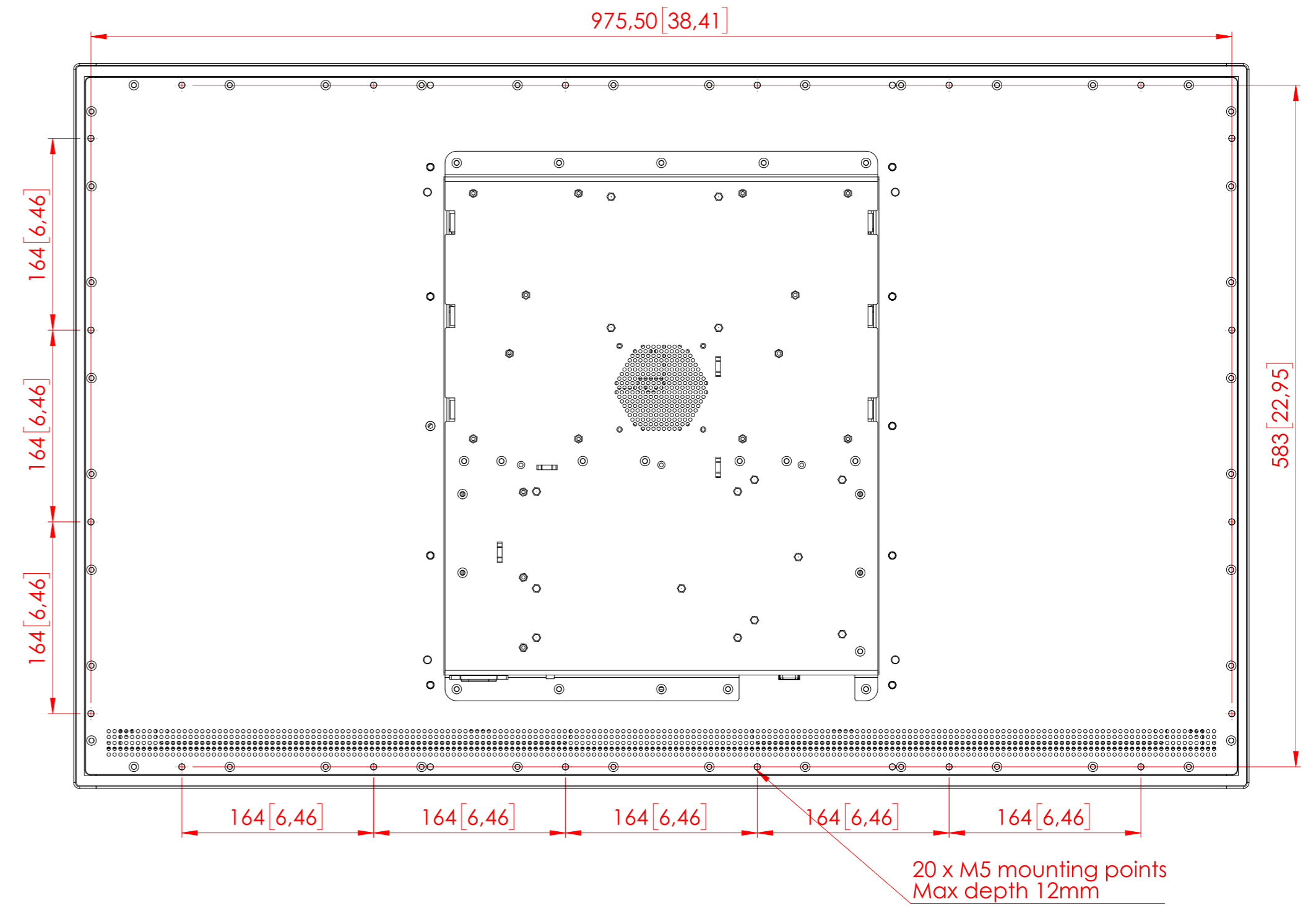
FRONT VIEW



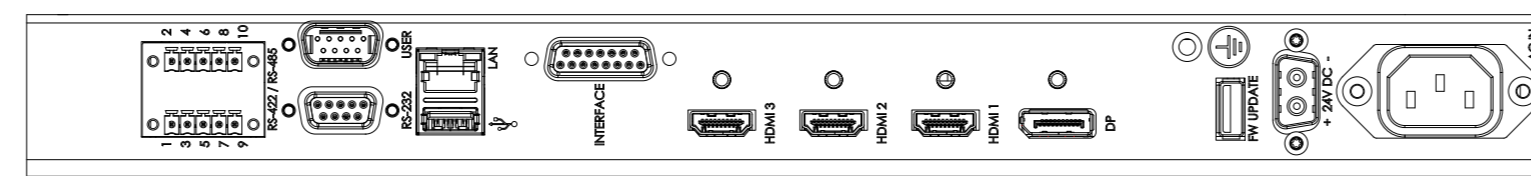
SIDE VIEW



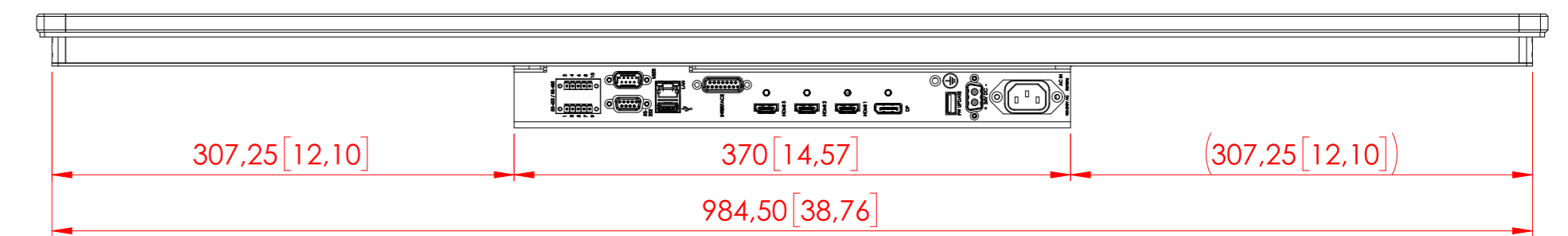
BACK VIEW



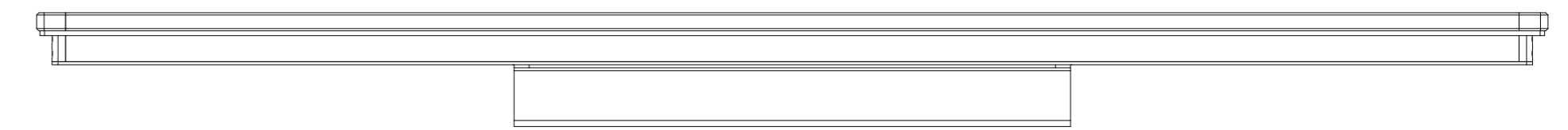
CONNECTORS CLOSE-UP



BOTTOM VIEW

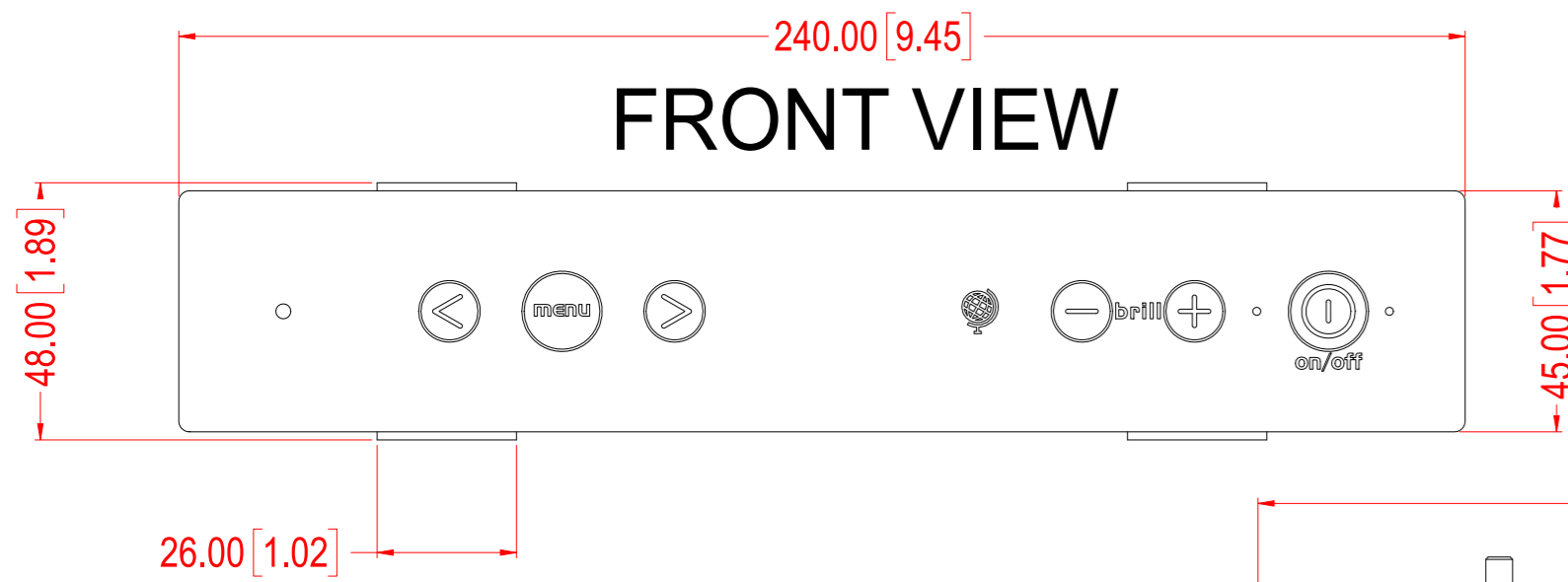


TOP VIEW

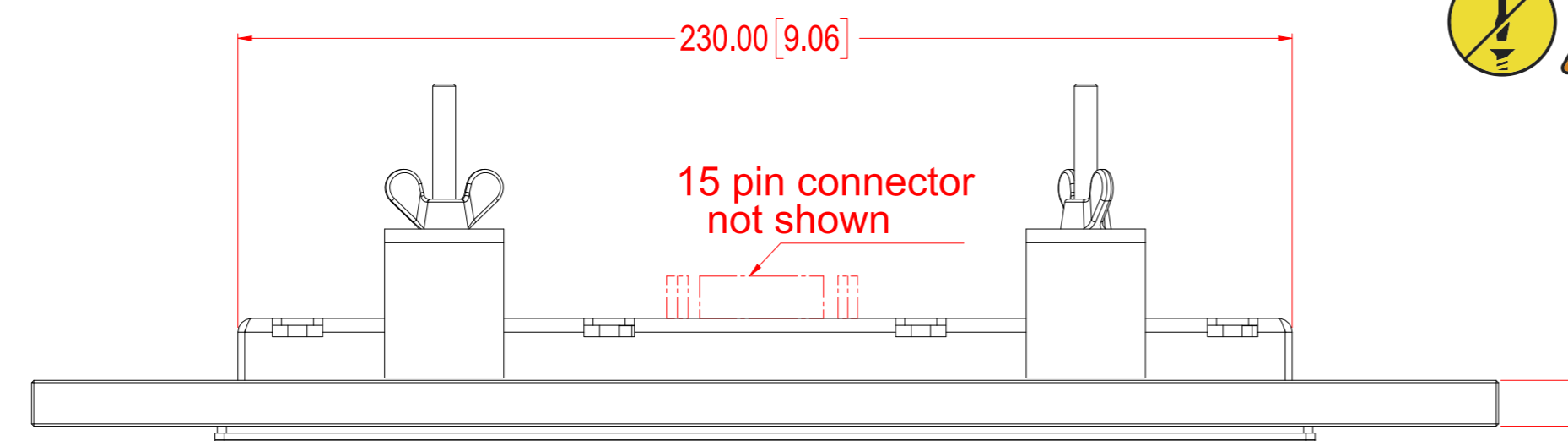


External Tactile Display Controls (TDC)

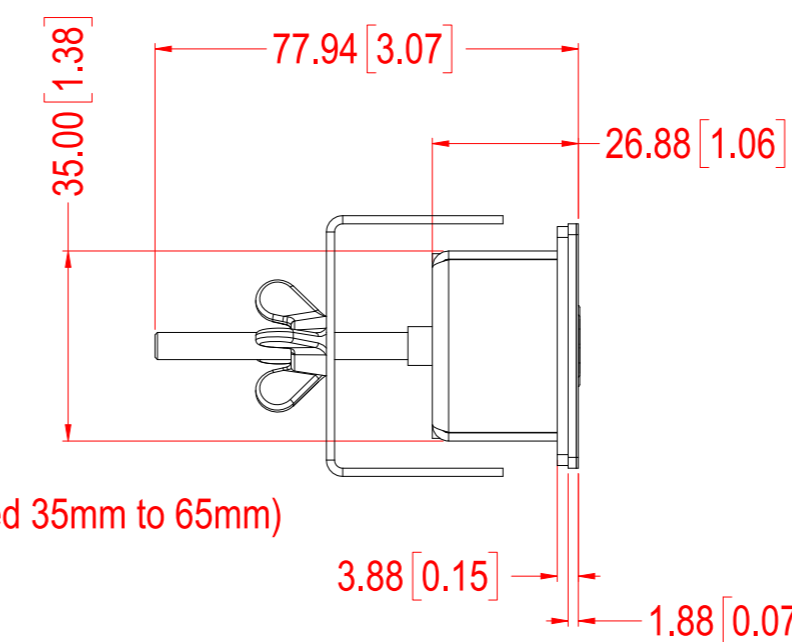
FRONT VIEW



TOP VIEW



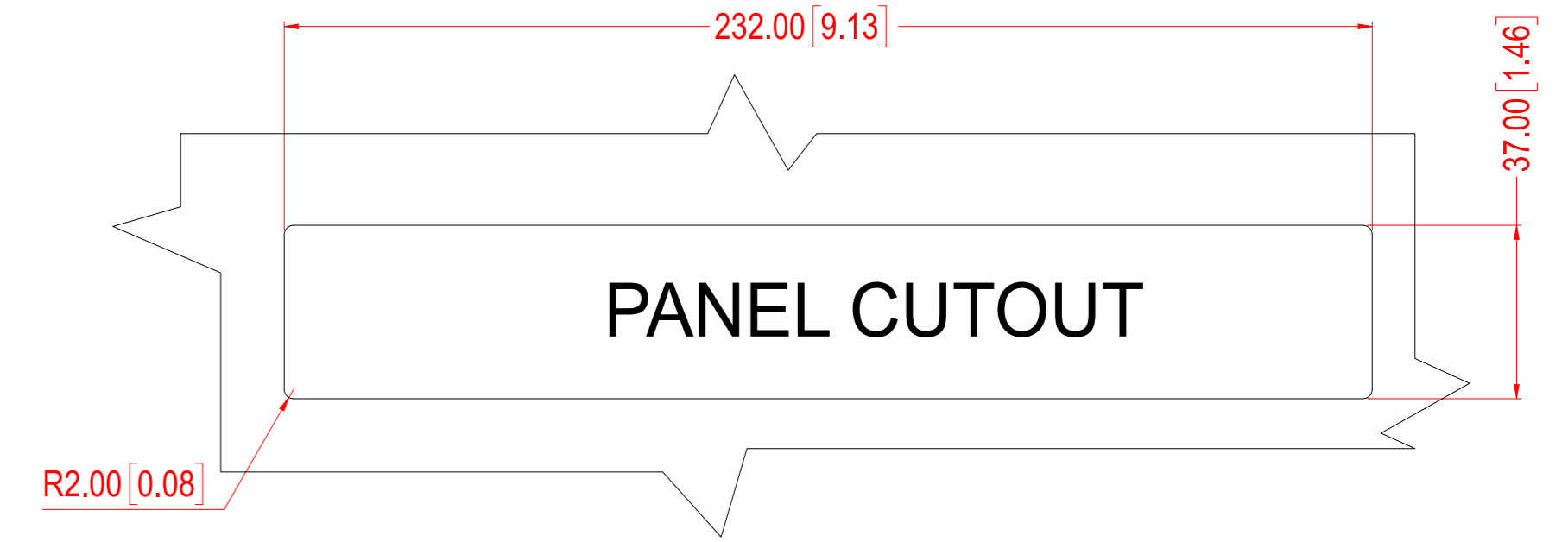
SIDE VIEW



Panel thickness - 0 up to 35mm (optionally - when mounting brackets flipped 35mm to 65mm)



PANEL CUTOUT



Units: mm [inches]

SALES DRAWING HD 43T22 MVD-MA1-COTP + HD TDCMVD KIT-A1

model shown in this drawing, but measurements generally apply for all HD 43T22 MVD-MAX-CxTx models

Creation date / by: / 09.03.15 7258	Projection:	A1	HATTELAND TECHNOLOGY an EMBRON Company
Last rev. date / by: / 7258	Scale: 1:2	Colour code:	
Hatteland Technology AS Eikeskogvegen 52 N-5570 Aksdal	Sheet: 1 / 2 Tolerance: 0.10-0.15 Welding specification: 06-09-2004	Surface treatment:	Approved by: _____ Revision: 02 Drawing number: A010811

For dimensions not shown, see DWG or 3D model.